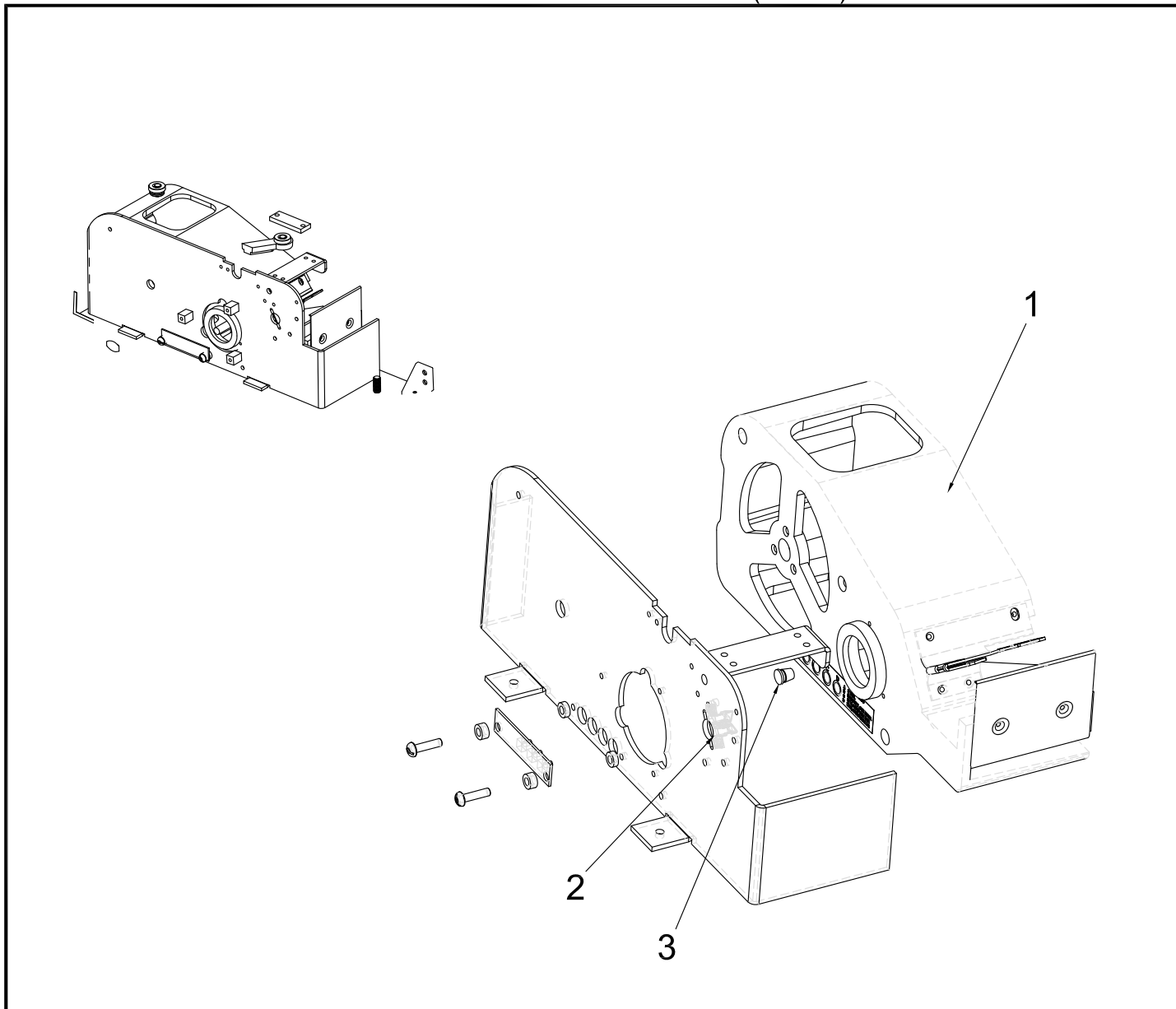


| No. | DESCRIPCIÓN | CÓDIGO | CANTIDAD | I.S./100 |
|-----------------------|--|----------|----------|----------|
| 1 | TARJETA MAESTRA TLSQA ENS. ----- | 46600881 | 1 | 3 |
| 2 | TARJETA FUENTE LSQ ENS. ----- | 46600651 | 1 | 3 |
| 3 | TARJETA ETHERNET ENS. ----- | 46600657 | 1 | 3 |
| 4 | TARJETA C. INTELIGENTE LSQ ENS. ----- | 46600656 | 1 | 3 |
| 5 | CELDA CARGA 20KG MOD. 1022 LSQ ENS. ----- | 46600654 | 1 | 3 |
| 6 | PIE DE NIVELACION HEXAGONAL (INYECTADO) ----- | 12400102 | 4 | 8 |
| 7 | PORTAPLATO MFQ ENS. ----- | 36700067 | 1 | 2 |
| 8 | MOTOR DE DIRECTA ENS. ----- | 46600553 | 1 | 2 |
| 9 | SUJ-SEP TARJ. PCR #MS-8 (3M) PINGOOD ----- | 12400118 | 11 | 20 |
| 10 | *ARNES CIT-SENSOR CABEZAL IMPRESION ENS. ----- | 46600623 | 1 | 3 |
| 11 | *ARNES LSQ FUENTE ENS. ----- | 46600655 | 1 | 3 |
| 12 | *ARNES CIT-CABEZAL TERMICO ENS. ----- | 46600882 | 1 | 3 |
| PARA EL MODELO LSQ40: | | | | |
| 5 | CELDA CARGA 20KG MOD. 1022 LSQ ENS. ----- | 46600721 | 1 | 3 |

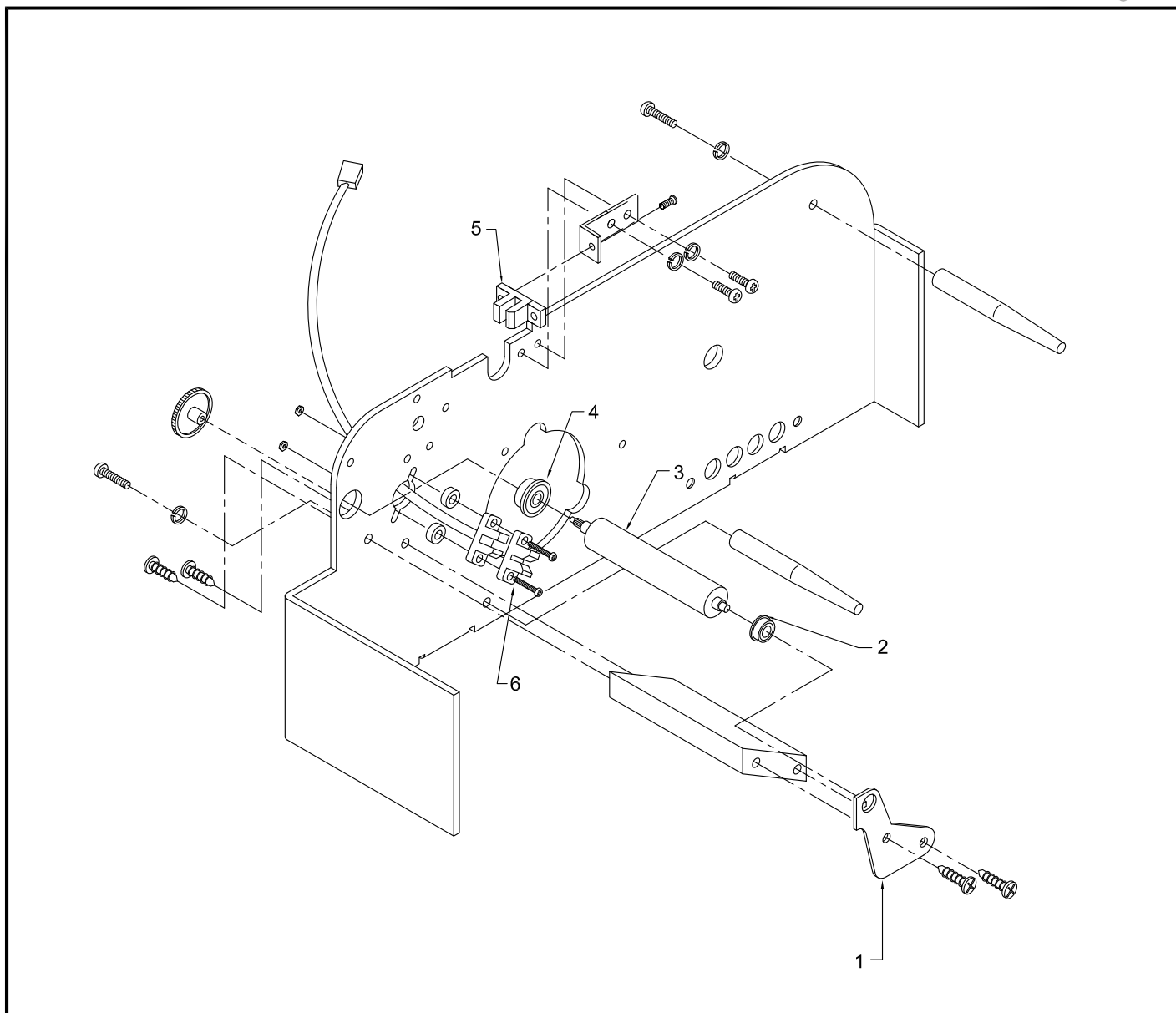
I.S.= INVENTARIO SUGERIDO

(*)=PARTE NO REPRESENTADA

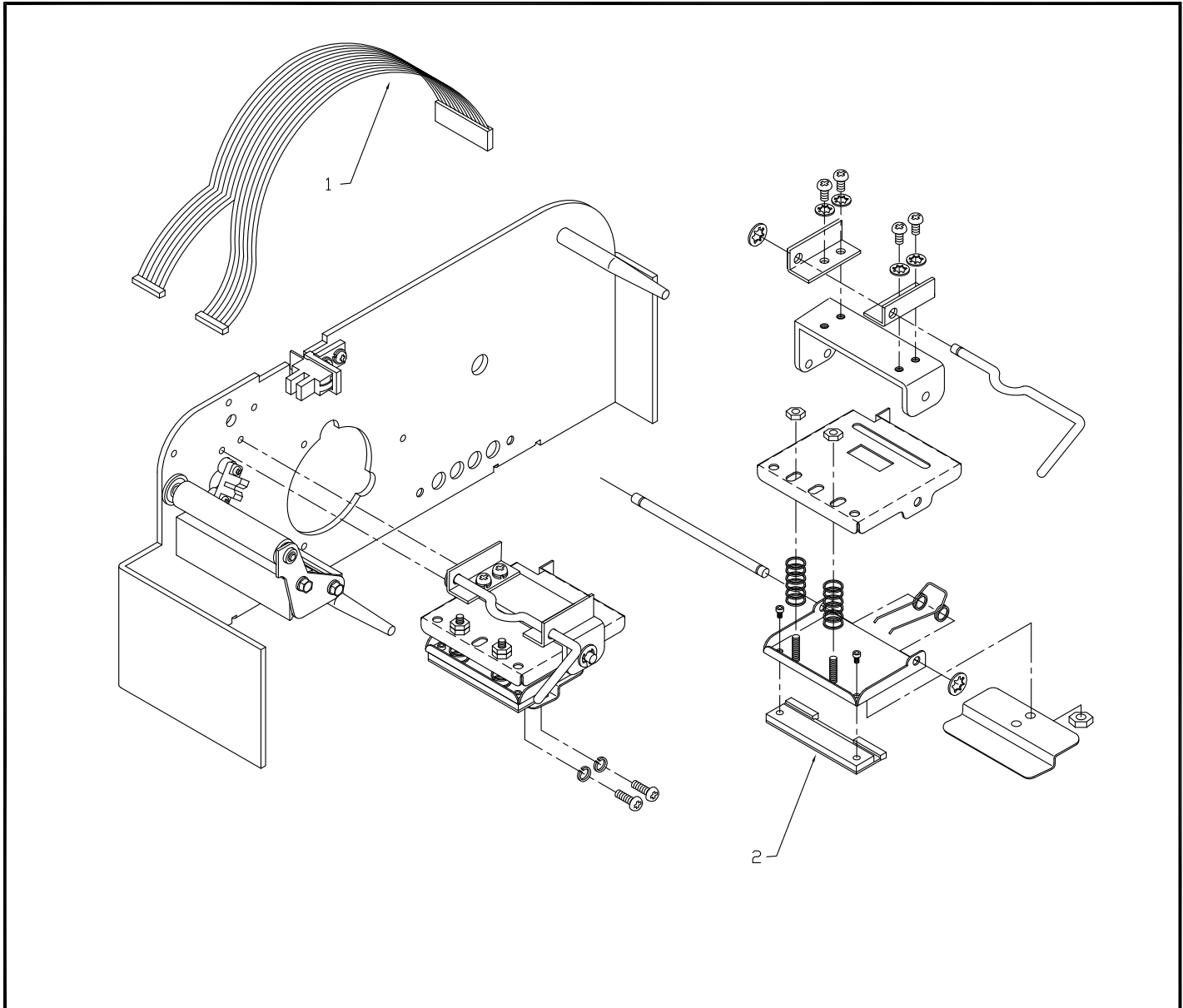


| No. | DESCRIPCIÓN | CÓDIGO | CANTIDAD | I.S./100 |
|-----|--|----------|----------|----------|
| 1 | CARTUCHO PLS2000 PLASTICO ENS ----- | 46600904 | 1 | 3 |
| 2 | PROTECTOR DE SENSOR ----- | 12900308 | 1 | 4 |
| 3 | TAPON PARA PUSH BOTON CARTUCHO MAESTRO ----- | 12400106 | 3 | 8 |
| 4 | *ARNES C. INTELIGENTE ENS ----- | 46600552 | 1 | 3 |

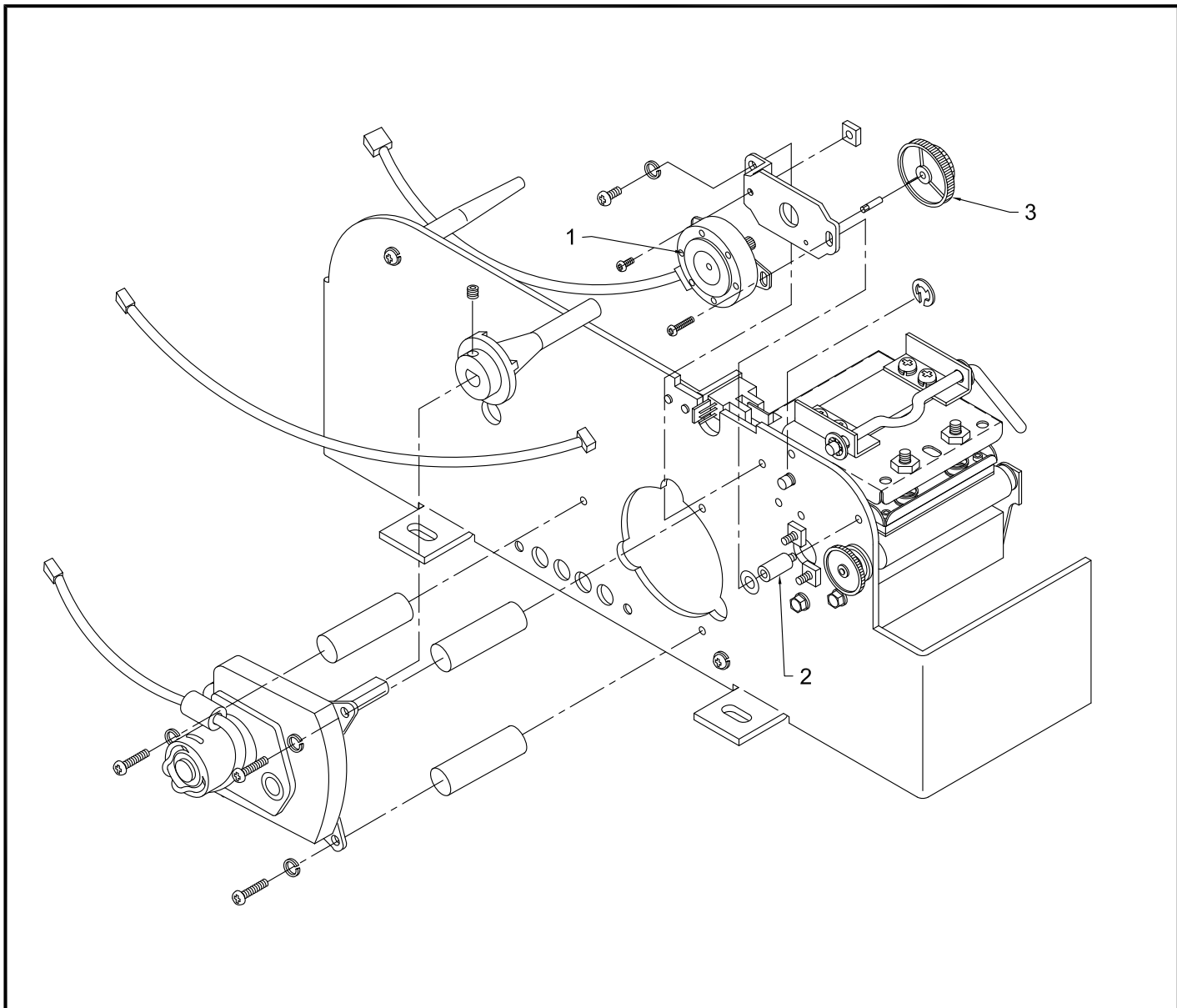
I.S.= INVENTARIO SUGERIDO (*)=PARTE NO REPRESENTADA



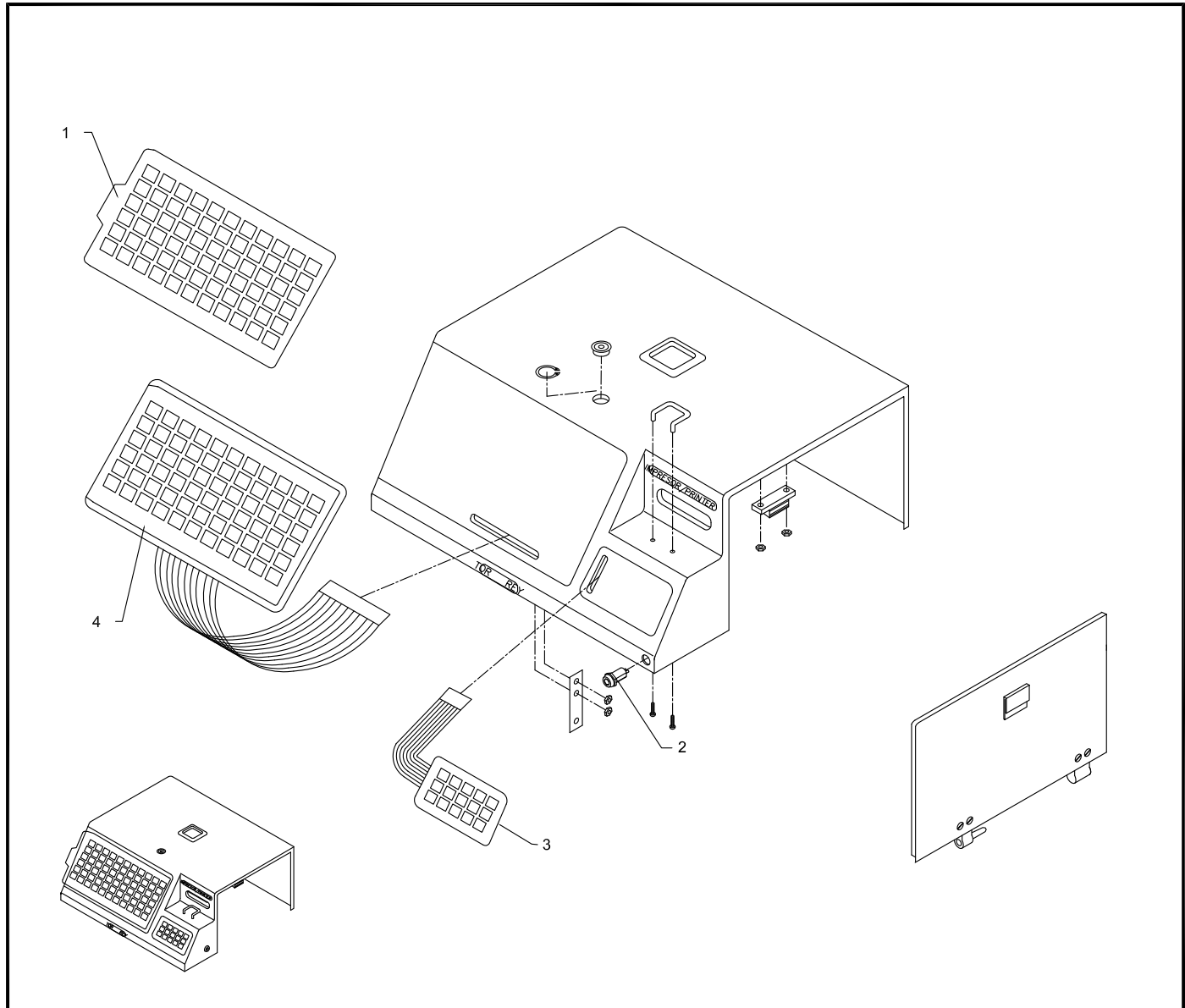
| No. | DESCRIPCIÓN | CÓDIGO | CANT. | I.S./100 |
|-----|---------------------------------------|----------|-------|----------|
| 1 | LAMINA PORTARROLLO | 56200047 | 1 | 1 |
| 2 | BALERO C/TOPE #P BBSLFXMR830XX301 | 12900253 | 1 | 1 |
| 3 | RUBBER ROLLER TYPE 1 35 TO 40 SHORE A | 12900173 | 1 | 1 |
| 4 | BALERO C/TOPE #P BBSRFX-3XXXXX301 | 12900254 | 1 | 1 |
| 5 | SENSOR PAPEL ENS 4P. | 46601033 | 1 | 1 |
| 6 | PROTECTOR DE SENSOR | 12900308 | 1 | 2 |



| No. | DESCRIPCIÓN | CÓDIGO | CANT. | I.S./100 |
|-----|--|----------|-------|----------|
| 1 | ARNES CITSENSOR CABEZAL IMPRESION ENS. ----- | 46600623 | 1 | 1 |
| 2 | CABEZAL PARA IMPRESORA TERMICA ----- | 21900720 | 1 | 1 |

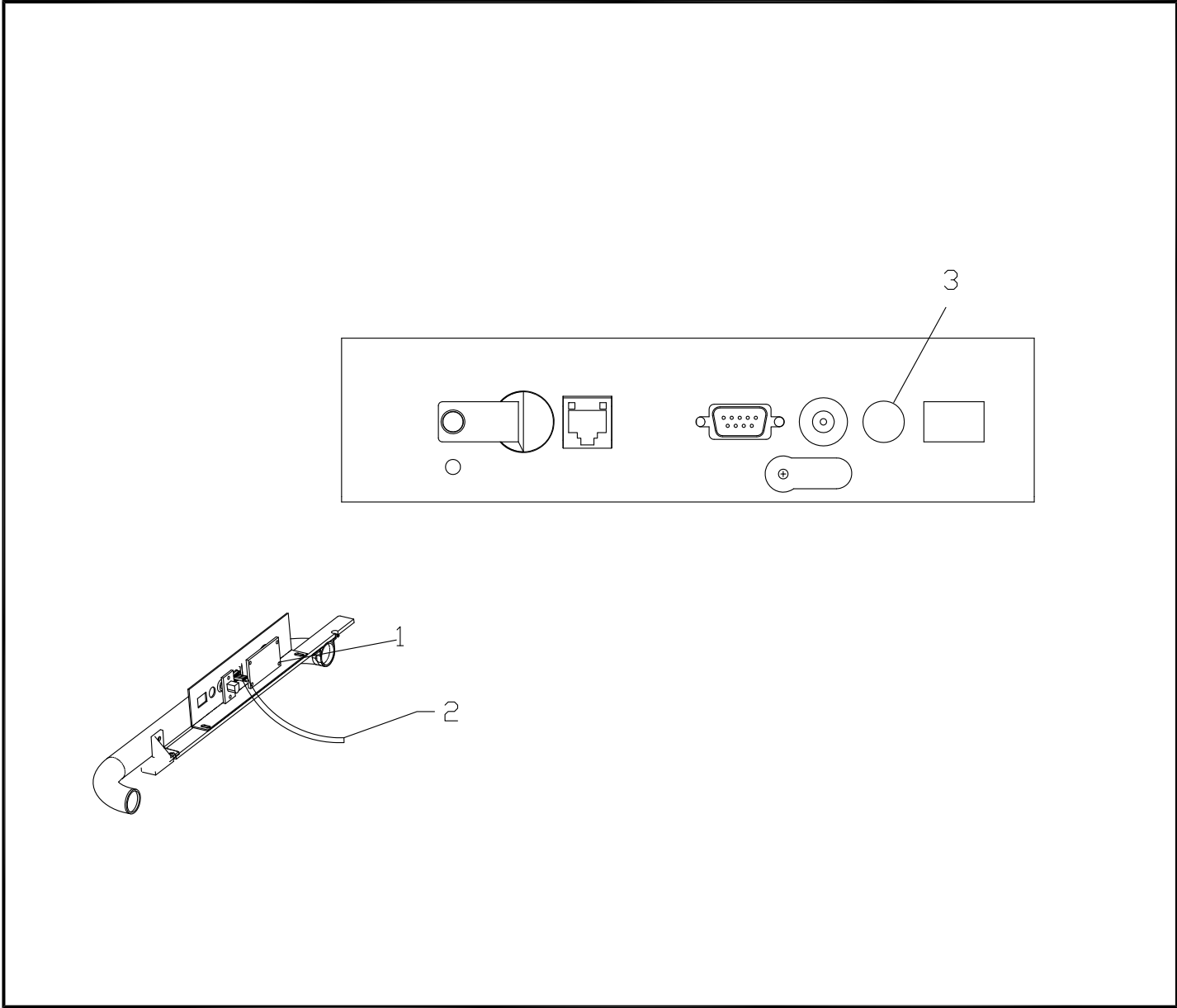


| No. | DESCRIPCIÓN | CÓDIGO | CANT. | I.S./100 |
|-----|--|----------|-------|----------|
| 1 | MOTOR DE PASOS ENS. N.T. ----- | 46600570 | 1 | 1 |
| 2 | SOPORTE DEL MOTOR DE PASOS INYECTADO ----- | 12400079 | 1 | 2 |
| 3 | ENGRANE DOBLE DE PLASTICO (29 Y 63 DTES) ----- | 12400073 | 1 | 2 |

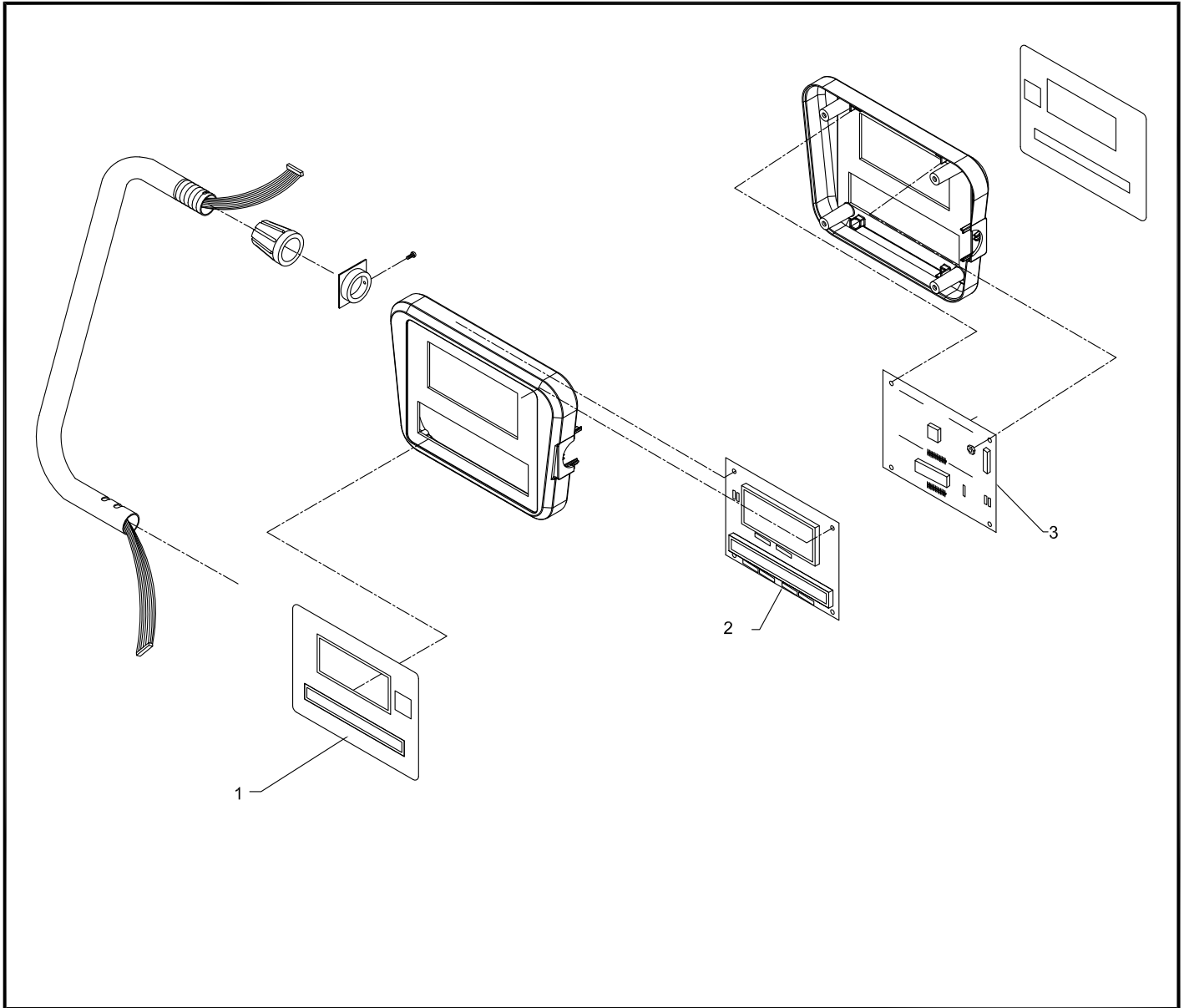


| No. | DESCRIPCIÓN | CÓDIGO | CANT. | I.S./100 |
|-----|--|----------|-------|----------|
| 1 | CALC. PROGRAMACION DIRECTA PRODUCTOS LSQ ----- | 23300032 | 1 | 2 |
| 2 | KEYLOCK SWITCH DE LLAVE ENS. ----- | 46600426 | 1 | 1 |
| 3 | MEMBRANE SWITCH LSQ OPERACION ----- | 20200070 | 1 | 2 |
| 4 | MEMBRANE SWITCH LSQ PROGRAMACION ----- | 20200072 | 1 | 2 |

I.S.= INVENTARIO SUGERIDO



| No. | DESCRIPCIÓN | CÓDIGO | CANT. | I.S./100 |
|-----|----------------------------------|----------|-------|----------|
| 1 | TARJETA ETHERNET ENS. ----- | 46600657 | 1 | 1 |
| 2 | ARNES PC LSQ ENS. ----- | 46600659 | 1 | 2 |
| 3 | PORTAFUSILBLE PLS ENS.N.T. ----- | 46600576 | 1 | 1 |
| 4 | *JACK P/ELIMINADOR ENS. ----- | 46600559 | 1 | 2 |



| No. | DESCRIPCIÓN | CÓDIGO | CANT. | I.S./100 |
|-----|---|----------|-------|----------|
| 1 | CALC. TORRETA LSQ ----- | 23300030 | 2 | 4 |
| 2 | TARJETA DE DIGITOS LSQ POSTERIOR ENS. ----- | 46600848 | 1 | 2 |
| 3 | TARJETA DE DIGITOS LSQ FRONTAL ENS ----- | 46600847 | 1 | 2 |

I.S.= INVENTARIO SUGERIDO